

BURGLAR-PROOF YOUR DOORS

74%
of intruders go through
the door



43%
get through the door by
forcing the lock

Only **10%**
force a window
lock to get in

How locks are **forced**



Lock
Drilling

Lock
Bumping



Lock
Snapping

Lock
Picking



9/10
of forced locks
are snapped

Which locks **protect** from what?



No accreditation

Not tested to protect
against any type of break-in

Master Locksmith Tested
No



Kitemark 1 Star

1* locks alone only protect
from **1 in 10** forced lock
break-ins.

Master Locksmith Tested
No



Kitemark 3 Stars

Tested against
4 break-in methods

Master Locksmith Tested
No



Sold Secure Diamond

Tested against
**All known break-in
methods**

Master Locksmith Tested
Yes

SSD - the toughest test.
Master Locksmiths use more
tools with no time limits. Very
few **3* locks** achieve this



The only tool that opens
an **Ultion** locked door

ULTION
www.ultion-lock.co.uk

ULTION

STAYS LOCKED

When the Ultion lock detects an attack, it goes into

Lock Down Mode

A hidden attack lock secures the mechanism.

Double

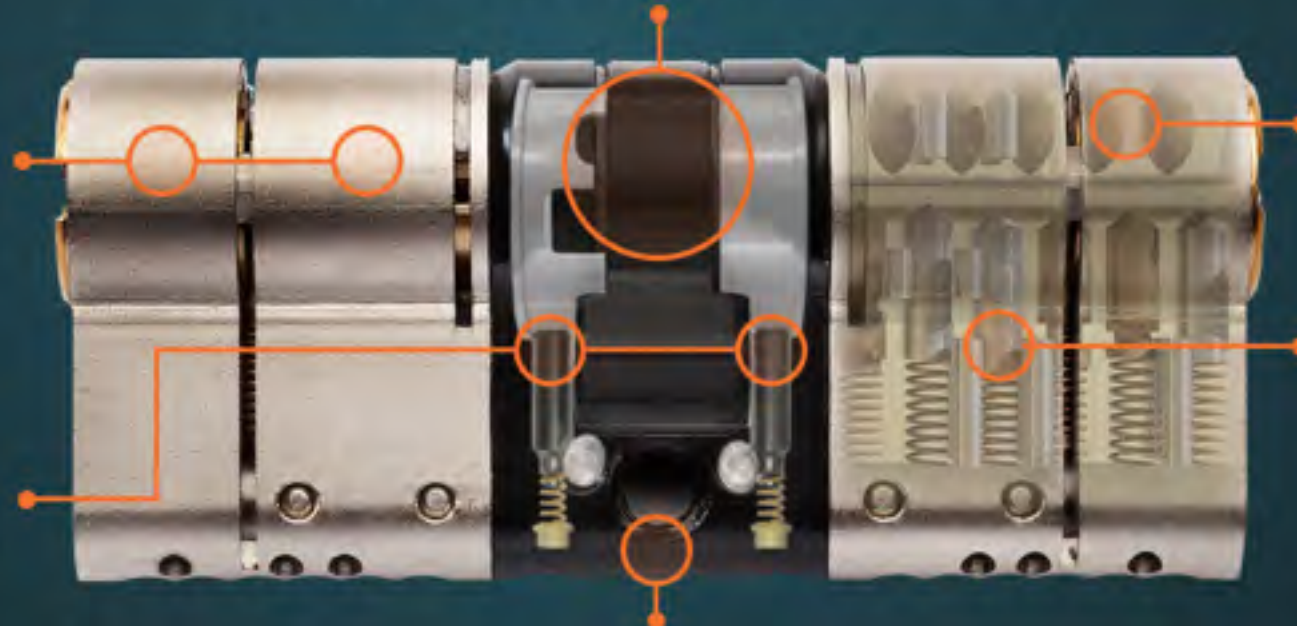
Anti-Snap protection

The intruder needs to snap Ultion twice before he see's the core.

2

Attack locks

Lock still works from inside after an attack.



11

Pins

Twice as many as normal locks.

8

Drill Defences

6 hardened steel rods and 2 plates in both ends.

25%

Denser than iron

The molybdenum core that houses the attack pins.



Protects for longer

The close keyway wipes debris off the key to stop jamming and lockouts.

3

Stars

The highest TS007 test rating.

1

Sold Secure Diamond

The standard most 3 star locks can't achieve.



294,970

Combinations

Produced from the 11 pins.

0

Magnets

Magnetised keys carry metal filings from other keys and coins into the lock.



£1000 GUARANTEE

If an intruder breaks into your home by snapping Ultion we'll pay you £1000

Register your lock for Free

www.ultion-lock.co.uk